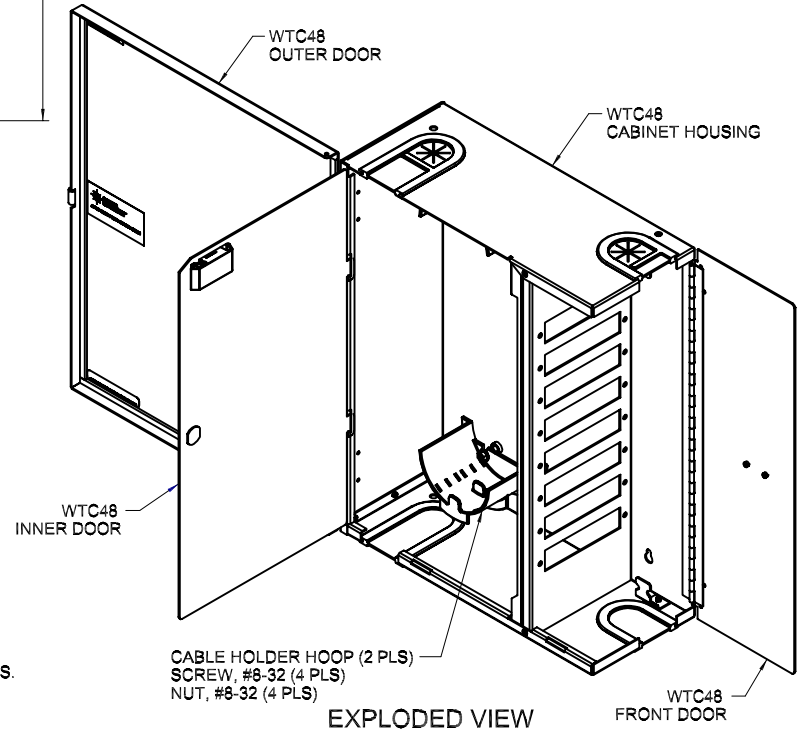
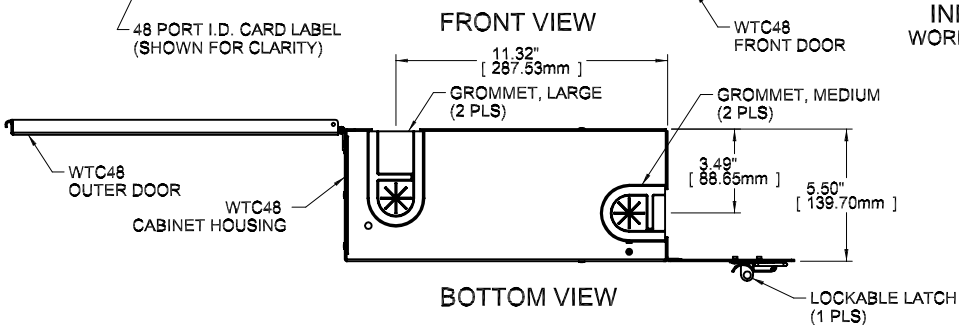
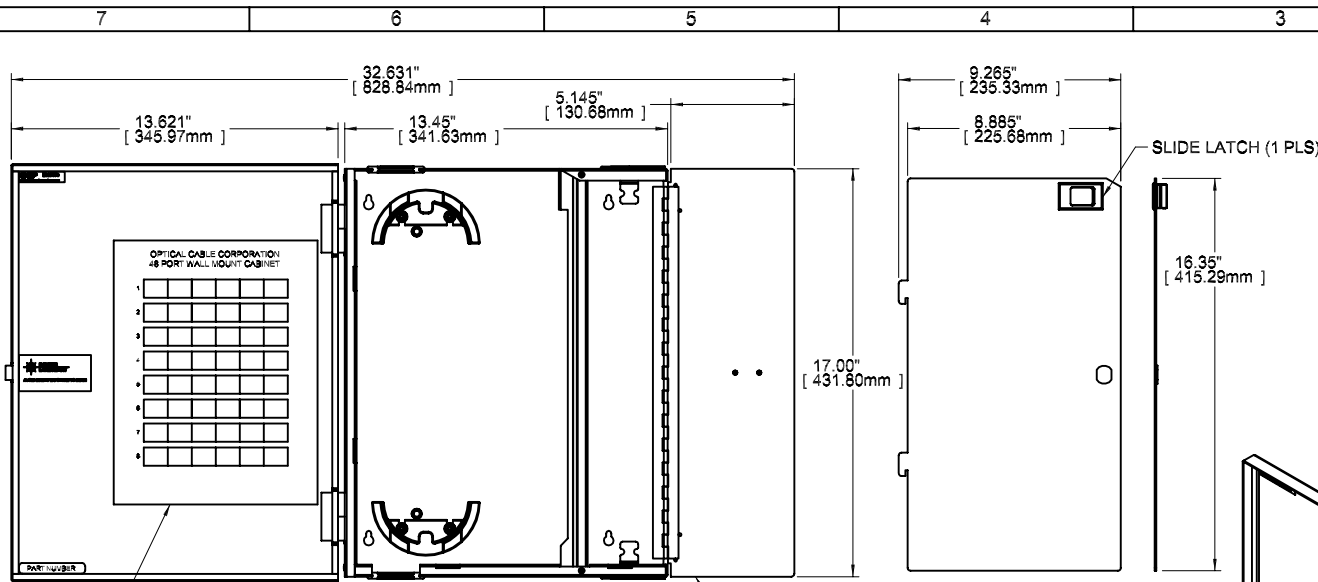


REVISION HISTORY					
REV	BY	DESCRIPTION	DATE	EQD	CHECKED
A	ALL	RELEASE NEW	1/21/04	NEW	RBB
B	-	ADDED TO DIMENSIONS FOR METRIC EQUIVALENTS	10/27/04	-	DI
N	-	UPDATED: SPECIFICATION NOTES AND DRAWING VIEWS	10/24/08	-	JY
P	-	UPDATED: CABINET FOR MEDIUM GROMMET AT 2 PLACES	1/3/08	-	RBB
R	-	UPDATED: DRAWING VIEWS TO NEW WTC48 DESIGN	3/12/08	-	RBB



## SPECIFICATIONS

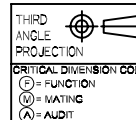
### FEATURES & BENEFITS:

- OPTICAL CABLE CORPORATIONS, FIBEROPTIC (WTC SERIES) WALL MOUNT FIBER OPTIC CROSS CONNECT CABINETS PROVIDE FIBER MANAGEMENT, CONNECTIVITY AND DISTRIBUTION FOR 6 TO 288 FIBERS. ACCOMMODATES ALL CROSS CONNECT FUNCTIONS (SPLICING, TERMINATION, AND INTERCONNECTION) FOR OUTSIDE PLANT, BACKBONE, AND BUILDING CABLES.
- ACCOMMODATES SNAP-IN ADAPTER PLATES. WTC CABINET PORT COUNT IS BASED ON 6 PORT ADAPTER PLATES. (EXAMPLE: WTC12A ACCOMMODATES TWO 6 PORT ADAPTER PLATES.) HIGHER DENSITY ACHIEVED WITH 8 OR 12 PACK ADAPTER PLATES. (EXAMPLE: WTC72A CAN ACCEPT 96 PORTS UTILIZING 8 PACK ADAPTER PLATES.)
- WTC CABINETS CAN BE ORDERED EMPTY, LOADED, OR CUSTOM-CONFIGURED TO YOUR PARTICULAR SPECIFICATIONS.
- WTC CABINETS PROVIDE PATCH & SPLICE CAPABILITIES. INNOVATIVE FIBER MANAGEMENT SYSTEM USES TWO TIER FIBER STORAGE HOOPS DESIGNED TO MAINTAIN ORDERLY FIBER MANAGEMENT.
- INTEGRAL STRAIN RELIEF BARS AND PLASTIC GROMMETS PROVIDE RELIABLE CABLE PROTECTION AT ALL CABLE ENTRANCES AND EXITS.
- RUGGED 16-GAUGE STEEL CONSTRUCTION WITH A DURABLE POWDER COAT FINISH. CABINET COLOR: A = ALMOND, B = BLACK.
- HINGED FRONT AND OUTER DOORS PROVIDE LOCKABLE LATCH EXTERIOR WITH EASY FRONT AND INNER ACCESS.
- ACCOMMODATES PLS® COYOTE™ SPLICE TRAYS.
- ALL PLASTIC COMPONENTS ARE HIGH IMPACT SELF-EXTINGUISHING UL LISTED RATING 94V-0.
- WTC SERIES DESIGNED TO MEET NEMA 12.

UNCONTROLLED COPY

WTC48B	CABINET, WALL MOUNT, 48 PORT, BLACK
WTC48A	CABINET, WALL MOUNT, 48 PORT, ALMOND
OCC PART NO.	DESCRIPTION

UNLESS OTHERWISE SPECIFIED DIMENSIONS ARE IN INCHES TOLERANCES - FRACTIONS ±1/32" ANGLES ±12° 3 PLACE DECIMALS = .005" 2 PLACE DECIMALS = .01"		THIS DRAWING AND THE DESIGN SHOWN ARE THE PROPERTY OF OPTICAL CABLE CORPORATION AND MAY NOT BE USED AS THE BASIS FOR MANUFACTURE OR SALE WITHOUT SPECIFIC WRITTEN PERMISSION OF OPTICAL CABLE CORPORATION.				5290 Concourse Drive Roanoke, VA 24019 Phone: 800-622-7711 Fax: 540-265-0724 www.occfiber.com	
DRAWN	D.A. HOLBERT	DATE	1/21/02	DWG TITLE		CUSTOMER DRAWING, WTC48, 48 PORT WALL MOUNT CABINET	
CHECKED	R.B. SMITH	DATE	1/24/02	SIZE	C	DWG NO.	C101446
ENGINEER	J. YANIK	DATE	1/21/02	SCALE	NONE	SHEET	1 OF 1
APPROVED	R.B. SMITH	DATE	3/12/08	REV	R		
PREVIOUS DWG		FILENAME	C101446R.DFT				
NEXT DWG							



THIRD ANGLE PROJECTION  
 CRITICAL DIMENSION CODE  
 (F) = FUNCTION  
 (M) = MATING  
 (A) = AUDIT