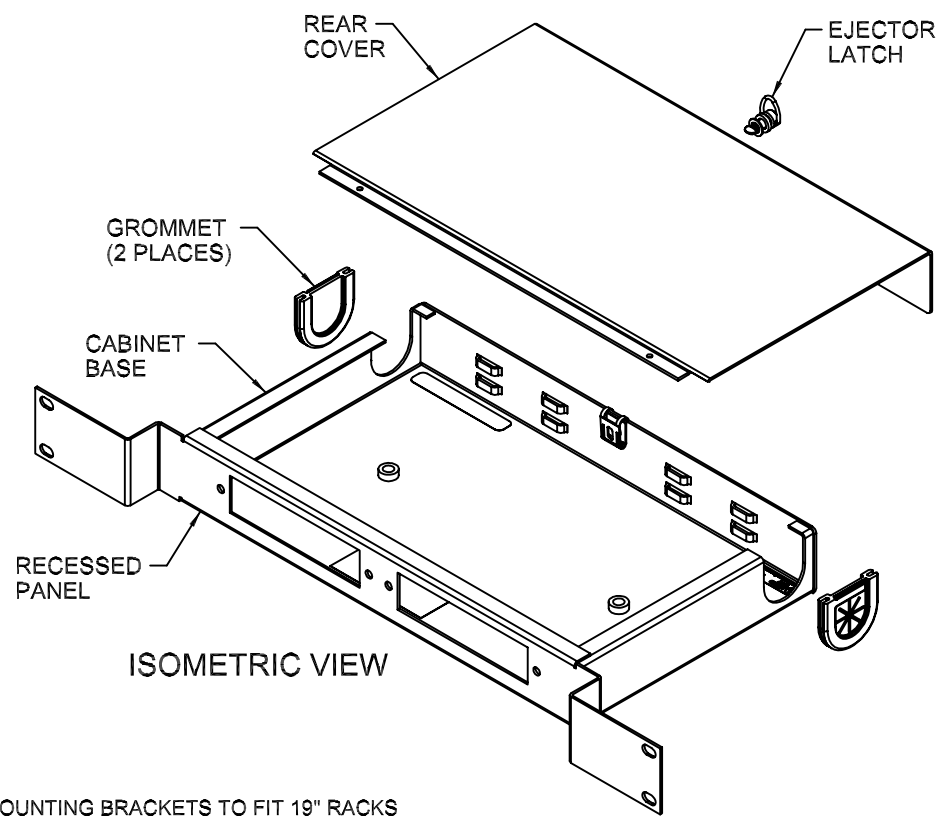
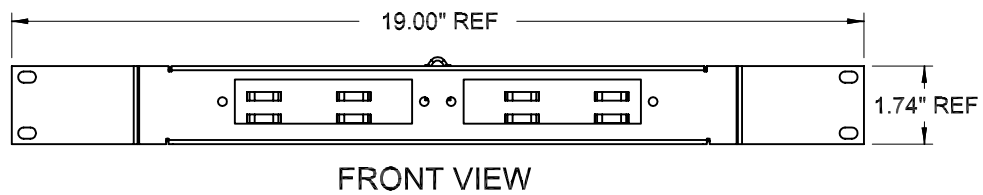
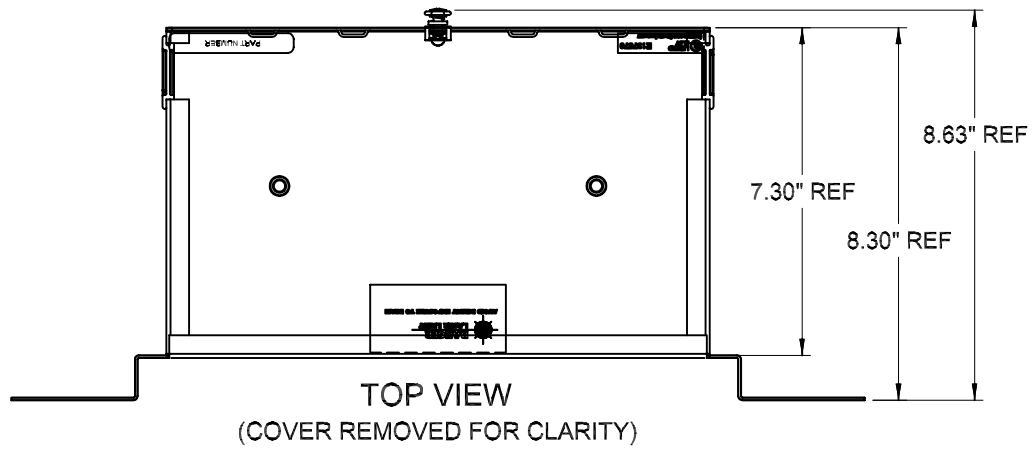


REVISION HISTORY				
REV/SHT	DESCRIPTION	DATE	ENGR	CHECKED
A	ALL RELEASE NEW	4/27/04	NEW	JFM
B	- CHGD. GROMMETS PER DESIGN REQUIREMENTS	4/27/04	-	JFM
C	- EDITED NOTES FOR CLARITY	8/28/07	-	JY
D	- ADDED WARNING LABEL FOR SAFETY	11/19/07	-	RBS
E	- UPDATED TOP VIEW DETAIL	10/20/08	-	RBS



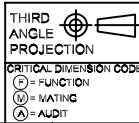
# SPECIFICATIONS

## FEATURES & BENEFITS:

- OPTICAL CABLE CORPORATIONS, FIBEROPTICX (RTR SERIES) LOW PROFILE FIBER OPTIC CROSS CONNECT CABINETS PROVIDE FIBER MANAGEMENT, CONNECTIVITY AND DISTRIBUTION FOR 6 TO 24 FIBERS. ACCOMMODATES ALL CROSS CONNECT FUNCTIONS (SPlicing, TERMINATION, AND INTERCONNECTION) FOR OUTSIDE PLANT, BACKBONE, AND BUILDING CABLES.
- ACCOMMODATES SNAP-IN ADAPTER PLATES. RTR CABINET PORT COUNT IS BASED ON 6 PORT ADAPTER PLATES. ADAPTER PLATES ORDERED SEPARATELY.
- RTR CABINETS PROVIDE SPLICE CAPABILITIES. PLASTIC GROMMETS PROVIDE RELIABLE CABLE PROTECTION AT ALL CABLE ENTRANCES AND EXITS.
- RUGGED 16-GAUGE STEEL CONSTRUCTION WITH A DURABLE POWDER COAT FINISH. CABINET COLOR: B = BLACK.
- REMOVABLE COVER PROVIDES EASY REAR ACCESS. RTR CABINETS FOR STANDARD 19" RACKS.

- STANDARD RECESSED MOUNTING BRACKETS TO FIT 19" RACKS OR CABINETS. MOUNTING HARDWARE INCLUDED WITH RTR SERIES. RECESSED BRACKETS ALLOW CABINETS TO FIT FLUSH WITH RACK.
- ALL PLASTIC COMPONENTS ARE HIGH IMPACT SELF-EXTINGUISHING, UL LISTED RATING 94V-0.

**UNCONTROLLED COPY**



RTR12B		CABINET, RACK MOUNT, 12 PORT, RECESSED, BLACK	
OCC PART NO.		DESCRIPTION	
UNCONTROLLED COPY			
UNLESS OTHERWISE SPECIFIED DIMENSIONS ARE IN INCHES: TOLERANCES: FRACTIONS = 1/32" ANGLES = 1/2" 3 PLACE DECIMALS = .000" 2 PLACE DECIMALS = .01"		THIS DRAWING AND THE DESIGN SHOWN ARE THE PROPERTY OF OPTICAL CABLE CORPORATION AND MAY NOT BE USED AS THE BASIS FOR MANUFACTURE OR SALE WITHOUT SPECIFIC WRITTEN PERMISSION OF OPTICAL CABLE CORPORATION.	
MATERIAL	SEE BILL OF MATERIAL	DRAWN	D.A. HOLBERT DATE 4/27/04
FINISH	SEE NOTES	CHECKED	J. MALTAIS DATE 10/28/04
		ENGINEER	J. YANIK DATE 4/27/04
		APPROVED	R.B. SMITH DATE 10/20/08
		PREVIOUS DWG	
		NEXT DWG	
DWG TITLE		SIZE	DWG NO.
CUSTOMER DRAWING, CABINET ASSY, RTR12B, RACK MOUNT RECESSED		C	C106701
REV E		SCALE	NONE
FILENAME		SHEET	1 OF 1
C106701E.DFT			

