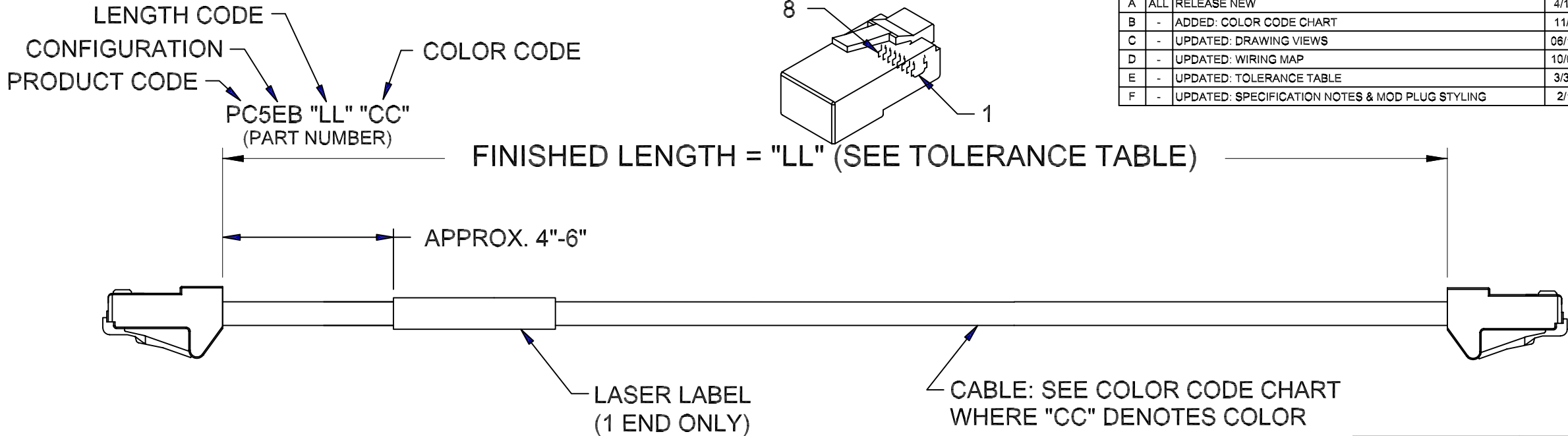


REVISION HISTORY					
REV	SHT	DESCRIPTION	DATE	ECN	CHECKED
A	ALL	RELEASE NEW	4/11/02	NEW	RBS
B	-	ADDED: COLOR CODE CHART	11/4/02	-	JY
C	-	UPDATED: DRAWING VIEWS	06/11/04	-	SV
D	-	UPDATED: WIRING MAP	10/06/04	-	JFM
E	-	UPDATED: TOLERANCE TABLE	3/31/05	-	JY
F	-	UPDATED: SPECIFICATION NOTES & MOD PLUG STYLING	2/1/06	-	JH



FINISH LENGTH	TOLERANCE
0 - 10'	+2" / - 0"
10' 1" - 20'	+3" / - 0"
20' 1" - >'	+6" / - 0"

STANDARDS COMPLIANCE:

- ANSI/TIA/EIA-568-A
- ANSI/TIA/EIA-568-A-1
- ANSI/TIA/EIA-568-A-2
- ANSI/TIA/EIA-568-A-3
- ANSI/TIA/EIA-568-A-4
- ANSI/TIA/EIA-568-A-5
- ANSI/TIA/EIA-568-B-1, CATEGORY 5E
- ANSI/TIA/EIA-568-B-2, CATEGORY 5E
- ASTM D 4566-98
- ISO/IEC 11801,
PROPOSED ISO/IEC 11801
2nd EDITION, CLASS D & CAT 5E

APPLICATION SUPPORT LIST:

- VOICE
 - 100 VG ANY LAN
 - 155/622MBPS ATM
 - 4/16 MBPS TOKEN RING
 - 10 BASE-TX ETHERNET
 - 100 BZSE-TX FAST ETHERNET
 - 1000 BASE-TX GIGABIT ETHERNET
 - BROADBAND VIDEO
 - ALL OTHER APPLICATIONS
- DEVELOPED FOR OPERATION OVER
CATEGORY 5E OR CLASS D CABLING.

MATERIALS:

- BOOT IS MADE OF PVC
- BODY IS POLYCARBONATE, UL94 V-0

WIRE MAP (106808XX)	COLOR CODE (ALPHA)	COLOR CODE (NUMERIC)
PLUG CONTACT NO. WIRE COLOR	Y = YELLOW	01 = YELLOW
1 WH/OR	BK = BLACK	02 = BLACK
2 OR/WH	R = RED	03 = RED
3 WH/GN	GN = GREEN	04 = GREEN
4 BL/WH	BL = BLUE	05 = BLUE
5 WH/BL	GY = GRAY	06 = GRAY
6 GN/WH	WH = WHITE	07 = WHITE
7 WH/BN	BN = BROWN	08 = ORANGE
8 BN/WH	PR = PURPLE	09 = BROWN
		10 = PURPLE

UNCONTROLLED COPY

UNLESS OTHERWISE SPECIFIED
DIMENSIONS ARE IN INCHES.
TOLERANCES:
FRACTIONS ±1/32"
ANGLES ±1/2°
3 PLACE DECIMALS ±.005"
2 PLACE DECIMALS ±.01"

THIS DRAWING AND THE DESIGN SHOWN ARE THE
PROPERTY OF OPTICAL CABLE CORPORATION
AND MAY NOT BE USED AS THE BASIS FOR MANU-
FACTURE OR SALE WITHOUT SPECIFIC WRITTEN
PERMISSION OF OPTICAL CABLE CORPORATION.

A OCC
OPTICAL CABLE CORPORATION

5290 Concourse Drive
Roanoke, VA 24019
Phone: 800-622-7711
Fax: 540-265-0724
www.occfiber.com

THIRD ANGLE PROJECTION

CRITICAL DIMENSION CODE
 (F) = FUNCTION
 (M) = MATING
 (A) = AUDIT

MATERIAL	SEE BILL OF MATERIAL
FINISH	SEE NOTES
DRAWN	D.A.HOLBERT
DATE	4/11/02
CHECKED	R.B.SMITH
DATE	4/15/02
ENGINEER	S.VADEN
DATE	4/11/02
APPROVED	J.HOWE
DATE	2/1/06
PREVIOUS DWG	
NEXT DWG	
FILENAME	C105315F.DFT

DWG TITLE			
CUSTOMER DRAWING, PATCH CORD EIA 568 B.2 CAT5E T568B WIRING, NO BOOT			
SIZE	DWG NO.	REV	
B	C105315	F	
SCALE:	NONE	SHEET	1 OF 1

UNCONTROLLED COPY