

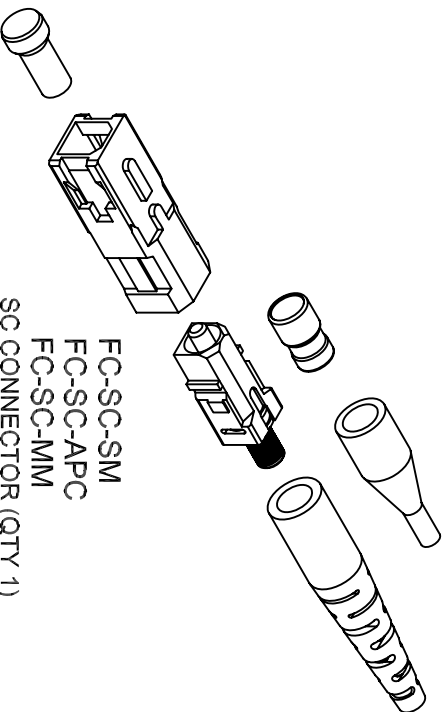
NOTES: UNLESS OTHERWISE SPECIFIED.

1. EACH FIBER CONNECTOR KIT IS SUPPLIED WITH ONE CLEAR FIBER TUBING.

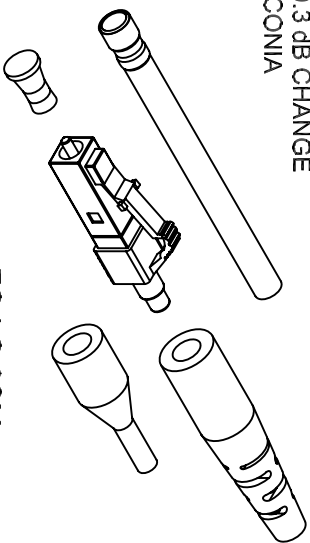
2. CONNECTOR SPECIFICATIONS (MULTIMODE)
 STANDARD CERAMIC FERRULE: 0.2 dB
 REFLECTANCE:
 -20 dB FOR PC
 -20 dB FOR SUPER PC
 -20 dB FOR ULTRA PC
 -20 dB FOR ANGLED PC
 < 0.2 dB CHANGE. 500 REMATINGS, FOTP-21
 < 0.2 dB CHANGE. 15 LB, FOTP-6
 -40° TO +75°C, 21 CYCLES, < 0.3 dB CHANGE
 FERRULE: PRERADIUSED ZIRCONIA
 HOUSING: THERMOPLASTIC

3. CONNECTOR SPECIFICATIONS (SINGLEMODE)
 STANDARD CERAMIC FERRULE: 0.2 dB
 REFLECTANCE:
 < -30 dB FOR PC
 < -40 dB FOR SUPER PC
 < -50 dB FOR ULTRA PC
 < -65 dB FOR ANGLED PC
 < 0.2 dB CHANGE. 500 REMATINGS, FOTP-21
 < 0.2 dB CHANGE. 15 LB, FOTP-6
 -40° TO +75°C, 21 CYCLES, < 0.3 dB CHANGE
 FERRULE: PRERADIUSED ZIRCONIA
 HOUSING: THERMOPLASTIC

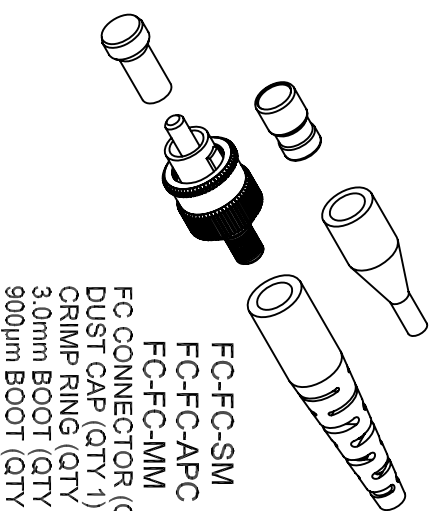
DURABILITY:
 TENSILE STRENGTH:
 TEMPERATURE CYCLING:
 MATERIAL:
 HOUSING: THERMOPLASTIC



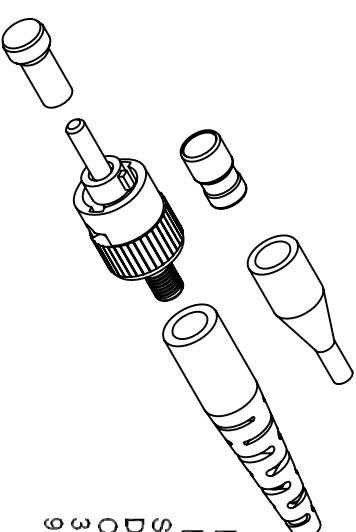
FC-SC-SM
 FC-SC-APC
 FC-SC-MM
 SC CONNECTOR (QTY 1)
 SHROUD (QTY 1)
 DUST CAP (QTY 1)
 CRIMP RING (QTY 1)
 3.0mm BOOT (QTY 1)
 900µm BOOT (QTY 1)



FC-LC-3SM
 FC-LC-3SM-BLK
 FC-LC-APC
 FC-LC-MM
 LC CONNECTOR (QTY 1)
 DUST CAP (QTY 1)
 CRIMP RING WITH
 CRIMP SLEEVE (QTY 1)
 2.0mm (3.0mm) BOOT (QTY 1)
 900µm BOOT (QTY 1)



FC-FC-SM
 FC-FC-APC
 FC-FC-MM
 FC CONNECTOR (QTY 1)
 DUST CAP (QTY 1)
 CRIMP RING (QTY 1)
 3.0mm BOOT (QTY 1)
 900µm BOOT (QTY 1)



FC-ST-SM
 FC-ST-MM
 FC-ST-SM-BLK
 FC-ST-MM-BLK
 ST CONNECTOR (QTY 1)
 DUST CAP (QTY 1)
 CRIMP RING (QTY 1)
 3.0mm BOOT (QTY 1)
 900µm BOOT (QTY 1)

REVISION HISTORY				
REV/SHT	DESCRIPTION	DATE	ECN	CHECKED
A	ALL RELEASE NEW	11/14/08	NEW	RBS
B	ADDED: APC CONNECTOR OPTIONS	2/7/11	-	RBS
C	ADDED: 3.0mm LC/MM CONNECTOR OPTIONS	4/7/11	-	RBS
D	ADDED: 3.0mm LC/SM CONNECTOR OPTIONS	4/26/11	-	RBS

FC-ST-MM-BLK	FIBER CONN, ST, MM, 900µm/3mm BLACK BOOT
FC-ST-MM	FIBER CONN, ST, MM, 900µm/3mm BEIGE BOOT
FC-ST-SM-BLK	FIBER CONN, ST, SM, 900µm/3mm BLACK BOOT
FC-ST-SM	FIBER CONN, ST, SM, 900µm/3mm BLUE BOOT
FC-SC-MM	FIBER CONN, SC, MM, 900µm/3mm BEIGE BOOT, BEIGE HSG
FC-SC-SM	FIBER CONN, SC, SM, 900µm/3mm BLUE BOOT, BLUE HSG
FC-SC-APC	FIBER CONN, SC, APC, 900µm/3mm GREEN BOOT, GREEN HSG
FC-LC-3MM-BLK	FIBER CONN, LC, MM, 900µm/3mm BLACK BOOT, BEIGE HSG
FC-LC-3MM	FIBER CONN, LC, MM, 900µm/3mm WHITE BOOT, BEIGE HSG
FC-LC-MM	FIBER CONN, LC, MM, 900µm/2mm WHITE BOOT, BEIGE HSG
FC-LC-3SM-BLK	FIBER CONN, LC, SM, 900µm/3mm BLACK BOOT, BEIGE HSG
FC-LC-3SM	FIBER CONN, LC, SM, 900µm/3mm WHITE BOOT, BEIGE HSG
FC-LC-SM	FIBER CONN, LC, SM, 900µm/2mm WHITE BOOT, BLUE HSG
FC-LC-APC	FIBER CONN, LC, APC, 900µm/2mm GREEN BOOT, GREEN HSG
FC-FC-MM	FIBER CONN, FC, MM, 900µm/3mm BEIGE BOOT
FC-FC-SM	FIBER CONN, FC, SM, 900µm/3mm BLUE BOOT
FC-FC-APC	FIBER CONN, FC, APC, 900µm/3mm GREEN BOOT
OCC PART NO.	DESCRIPTION

UNCONTROLLED COPY

UNLESS OTHERWISE SPECIFIED
 DIMENSIONS ARE IN INCHES.
 TOLERANCES: FRACTIONS: ±1/32"
 ANGLES: ±1/2°
 3 PLACE DECIMALS ±.005"
 2 PLACE DECIMALS ±.01"



THIRD ANGLE PROJECTION

CRITICAL DIMENSION CODE

F = FUNCTION
 M = MATING
 A = AUDIT

MATERIAL
 SEE BILL OF MATERIAL

FINISH
 SEE NOTES

DRAWN D.A.HOLBERT
 DATE 11/14/08

OCC
OPTICAL CABLE CORPORATION
 5290 Concourse Drive
 Roanoke, VA 24019
 Phone: 800-622-7711
 Fax: 540-265-0724
 www.occbber.com

CHECKED R.B.SMITH
 DATE 12/2/08

ENGINEER J.YANIK
 DATE 11/14/08

APPROVED R.B.SMITH
 DATE 4/26/11

PREVIOUS DWG

FILENAME C:109360D.dft

DWG TITLE
**CUSTOMER DRAWING,
 CONNECTOR, KITTING,
 SM/MM, SINGLE PACKED**

SIZE B
 DWG NO. **C109360**

SCALE: NONE SHEET 1 OF 1

REV D