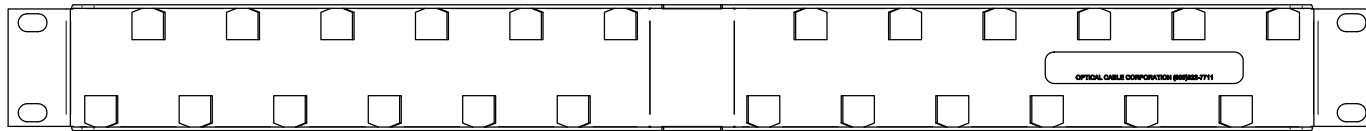
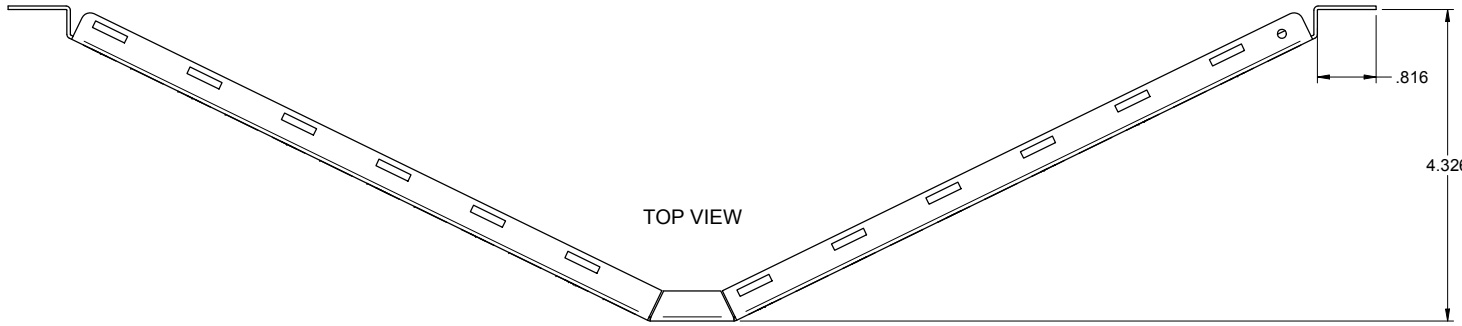


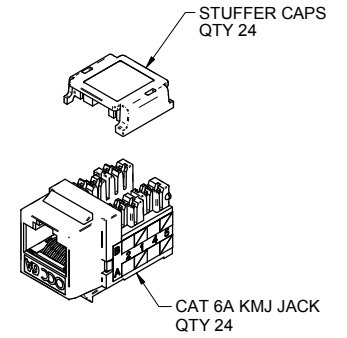
REVISION HISTORY				
REV/SHT	DESCRIPTION	DATE	ECN	CHECKED
A	ALL RELEASE NEW	4/26/11	NEW	RBS



BACK VIEW - LABEL PLACEMENT

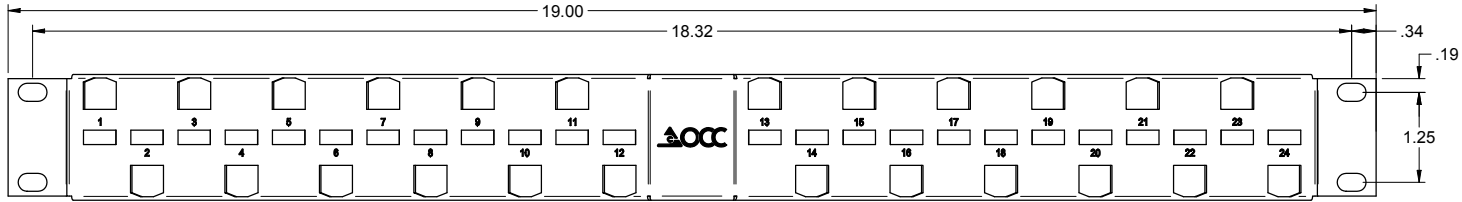


TOP VIEW

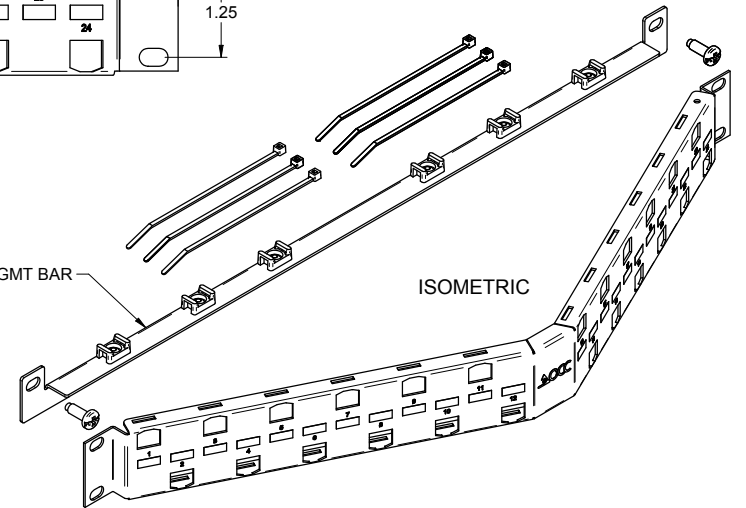


STUFFER CAPS
QTY 24

CAT 6A KMJ JACK
QTY 24

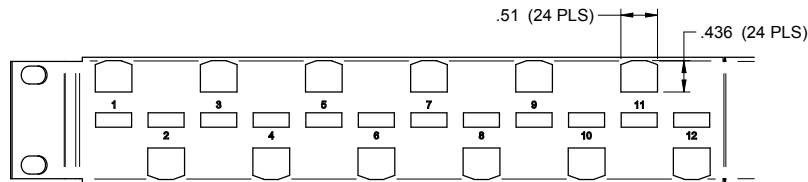


FRONT VIEW

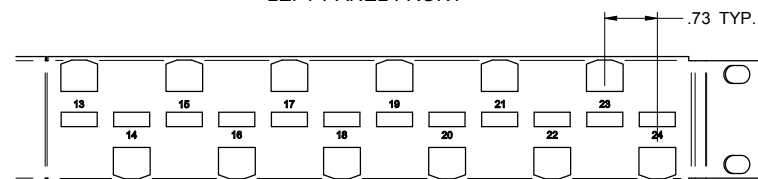


CABLE MGMT BAR
QTY 1

ISOMETRIC



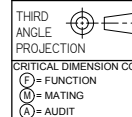
LEFT PANEL FRONT



RIGHT PANEL FRONT

NOTES: UNLESS OTHERWISE SPECIFIED.
1. PRODUCT APPROVAL REQUIRES CERTIFICATION OF COMPLIANCE TO E.U. RoHS DIRECTIVE 2002/95/EC.

UNCONTROLLED COPY



ACC2488/1106A	PATCH PANEL, ANGLED, C6A, 24P, KMJ MTG, UTP, OCC	
OCC PART NO.	DESCRIPTION	
<small>UNLESS OTHERWISE SPECIFIED, THIS DRAWING AND THE DESIGN SHOWN ARE THE PROPERTY OF OPTICAL CABLE CORPORATION AND TOLERANCES: FRACTIONS ±1/32" MAY NOT BE USED AS THE BASIS FOR MANUFACTURE OR SALE WITHOUT SPECIFIC WRITTEN PERMISSION OF OPTICAL CABLE CORPORATION.</small>		
<small>MATERIAL: CRS, 16 GA. .0598" THK. FINISH: BLACKPOWDER COAT PER OCC SPEC 100025</small>		
<small>3 PLACE DECIMALS ±.005"</small> <small>2 PLACE DECIMALS ±.01"</small>	<small>ANGLES ±1/2°</small>	<small>CRITICAL DIMENSION CODES: (C) = FUNCTION (M) = MATING (A) = AUDIT</small>
<small>DRAWN: D.A.HOLBERT</small> <small>CHECKED: R.B.SMITH</small> <small>ENGINEER: J.YANIK</small> <small>APPROVED: J.HOWE</small>	<small>DATE: 4/26/11</small> <small>DATE: 4/27/11</small> <small>DATE: 4/26/11</small> <small>DATE: 4/27/11</small>	<small>DATE: 4/26/11</small> <small>DATE: 4/27/11</small>
<small>PREVIOUS DWG</small> <small>NEXT DWG</small>	<small>FILENAME: C110712A.DFT</small>	<small>SCALE: NONE</small>
<small>DWG TITLE: ASSY, PATCH PANEL, 24 PORT, ANGLED, UTP, STAGGERED</small>		<small>REV: A</small>
<small>SIZE: C</small>		<small>DWG NO.: C110712</small>
<small>SHEET: 1 OF 1</small>		<small>SHEET: 1 OF 1</small>

33 Superior Way
Swainson, NC 28778
Phone: 828-298-2260
Fax: 828-298-2487
www.occfiber.com

