

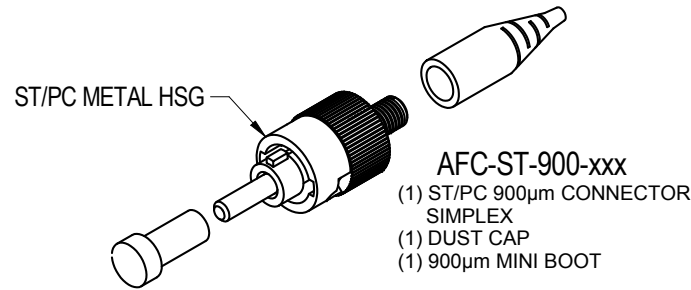
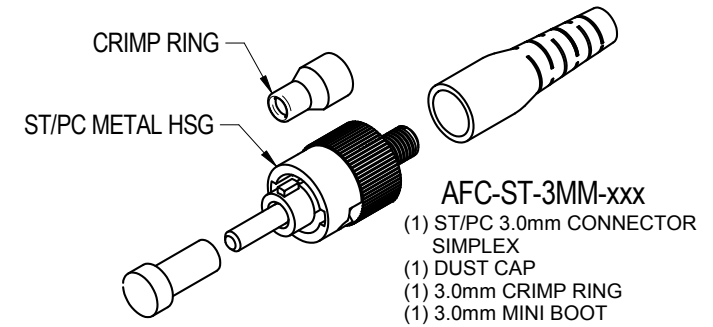
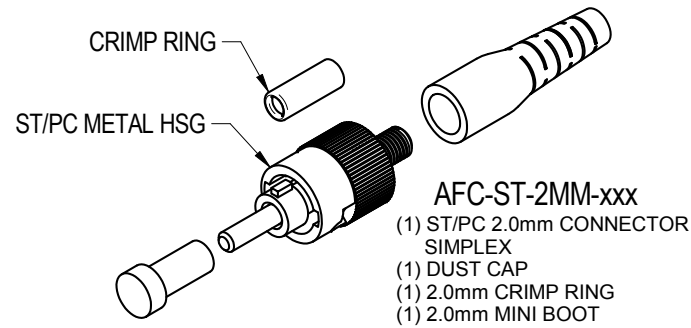
OCC PART NO.	DESCRIPTION	FIBER MODE	BOOT COLOR
AFC-ST6-900-BGE	FIBER CONN, FC/PC	62.5µm OM1	900µm BEIGE
AFC-ST6-2MM-BGE	FIBER CONN, FC/PC	62.5µm OM1	2.0mm BEIGE
AFC-ST6-3MM-BGE	FIBER CONN, FC/PC	62.5µm OM1	3.0mm BEIGE
AFC-ST5G-900-AQU	FIBER CONN, FC/PC	50µm OM3/OM4	900µm AQUA
AFC-ST5G-2MM-AQU	FIBER CONN, FC/PC	50µm OM3/OM4	2.0mm AQUA
AFC-ST5G-3MM-AQU	FIBER CONN, FC/PC	50µm OM3/OM4	3.0mm AQUA
AFC-ST8-900-BLU	FIBER CONN, FC/PC	SINGLEMODE	900µm BLUE
AFC-ST8-2MM-BLU	FIBER CONN, FC/PC	SINGLEMODE	2.0mm BLUE
AFC-ST8-3MM-BLU	FIBER CONN, FC/PC	SINGLEMODE	3.0mm BLUE

OCC PART NO.	DESCRIPTION	FIBER MODE	BOOT COLOR
FC-ST6-900-WHT	FIBER CONN, FC/PC	62.5µm OM1	900µm WHITE
AFC-ST6-2MM-WHT	FIBER CONN, FC/PC	62.5µm OM1	2.0mm WHITE
AFC-ST6-3MM-WHT	FIBER CONN, FC/PC	62.5µm OM1	3.0mm WHITE
AFC-ST5G-900-WHT	FIBER CONN, FC/PC	50µm OM3/OM4	900µm WHITE
AFC-ST5G-2MM-WHT	FIBER CONN, FC/PC	50µm OM3/OM4	2.0mm WHITE
AFC-ST5G-3MM-WHT	FIBER CONN, FC/PC	50µm OM3/OM4	3.0mm WHITE
AFC-ST8-900-WHT	FIBER CONN, FC/PC	SINGLEMODE	900µm WHITE
AFC-ST8-2MM-WHT	FIBER CONN, FC/PC	SINGLEMODE	2.0mm WHITE
AFC-ST8-3MM-WHT	FIBER CONN, FC/PC	SINGLEMODE	3.0mm WHITE

OCC PART NO.	DESCRIPTION	FIBER MODE	BOOT COLOR
AFC-ST6-900-BLK	FIBER CONN, FC/PC	62.5µm OM1	900µm BLACK
AFC-ST6-2MM-BLK	FIBER CONN, FC/PC	62.5µm OM1	2.0mm BLACK
AFC-ST6-3MM-BLK	FIBER CONN, FC/PC	62.5µm OM1	3.0mm BLACK
AFC-ST5G-900-BLK	FIBER CONN, FC/PC	50µm OM3/OM4	900µm BLACK
AFC-ST5G-2MM-BLK	FIBER CONN, FC/PC	50µm OM3/OM4	2.0mm BLACK
AFC-ST5G-3MM-BLK	FIBER CONN, FC/PC	50µm OM3/OM4	3.0mm BLACK
AFC-ST8-900-BLK	FIBER CONN, FC/PC	SINGLEMODE	900µm BLACK
AFC-ST8-2MM-BLK	FIBER CONN, FC/PC	SINGLEMODE	2.0mm BLACK
AFC-ST8-3MM-BLK	FIBER CONN, FC/PC	SINGLEMODE	3.0mm BLACK

"OPTICAL CABLE CORPORATION (OCC)
RESERVES THE RIGHT TO REVISE ANY
AND ALL DESIGN SPECIFICATIONS."

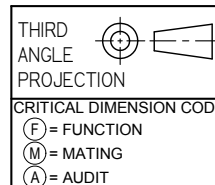
UNCONTROLLED COPY



NOTES: UNLESS OTHERWISE SPECIFIED.

1. MEETS UL94V-0 CERTIFIED COMPLIANCE

2. MEETS E.U. DIRECTIVE RoHS 2002/95/EC CERTIFIED COMPLIANCE



MATERIAL
SEE BILL OF MATERIAL

FINISH
SEE NOTES

UNLESS OTHERWISE SPECIFIED
DIMENSIONS ARE IN INCHES.
TOLERANCES: FRACTIONS ±1/32"
ANGLES ±1/2°
3 PLACE DECIMALS ±.005"
2 PLACE DECIMALS ±.01"

THIS DRAWING AND THE DESIGN SHOWN ARE THE
PROPERTY OF OPTICAL CABLE CORPORATION AND
MAY NOT BE USED AS THE BASIS FOR MANUFACTURE
OR SALE WITHOUT SPECIFIC WRITTEN PERMISSION
OF OPTICAL CABLE CORPORATION.

DRAWN	D.A.HOLBERT	DATE	10/18/17
CHECKED	J.HOWE	DATE	10/26/17
ENGINEER	J.YANIK	DATE	10/18/17
APPROVED	D.INGLE	DATE	10/26/17
PREVIOUS DWG			
NEXT DWG			



33 Superior Way
Swannanoa, NC 28778
Phone: 828-298-2260
Fax: 828-298-2487
www.occfiber.com

DWG TITLE		FIBER CONN KIT, SM/MM, ST CONN, SINGLE PACK	
SIZE	B	DWG NO.	C112951
REV	A	SCALE:	NONE
SHEET		1 OF 1	

FILENAME C:112951A.dft